

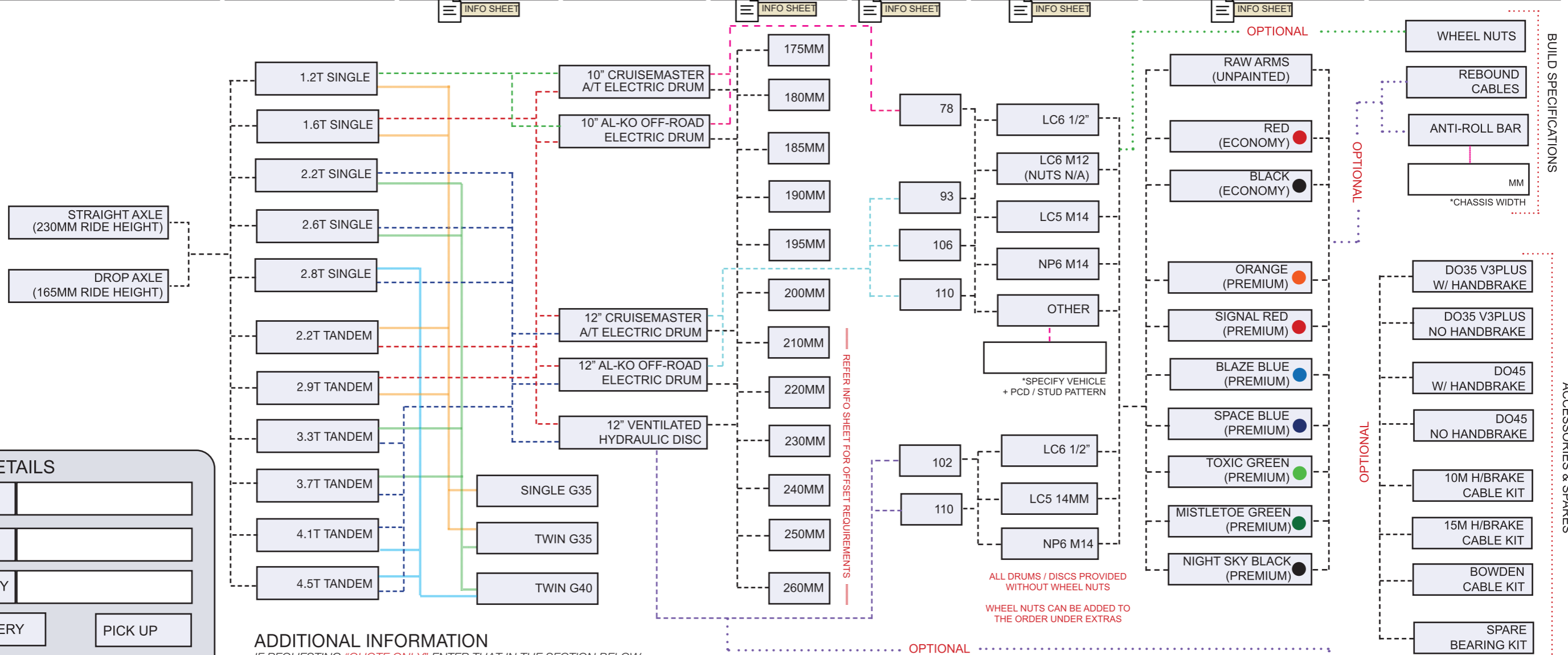


XT FREESTYLE COIL

ORDER FORM

SUBMIT VIA: SALES@CRUISEMASTER.COM.AU

AXLE STYLE	ATM RATING	SHOCK ABSORBERS	BRAKES	CHASSIS/FACE	SPIGOT SIZE	STUD PATTERN ALL STUDS UNF OR 1.5	POWDER COATING	EXTRAS
------------	------------	-----------------	--------	--------------	-------------	--------------------------------------	----------------	--------



ORDER DETAILS

ORDER #

QUOTE #

REQUIRED BY

DELIVERY

PICK UP

ADDRESS

CONTACT INFORMATION

ORDERED BY

ACCOUNT NAME

PHONE

EMAIL

Please note as per the CruiseMaster Australia Pty Ltd Terms and Conditions, 100% deposit is required prior to production for all Cash Sales. A Pro Forma will be sent via email after the order has been reviewed prompting payment. Production of MTO goods will not commence until payment is received.

By submitting this order you agree to the Terms and Conditions of CruiseMaster Australia Pty Ltd. T&C's are available at <https://cruisemaster.com.au/terms>. Warranty information available at <https://cruisemaster.com.au/warranty-policy/>.

TRADEMARK OF CRUISEMASTER™ AUSTRALIA PTY LTD ABN 44 010 033 762

USER GUIDE

BROCHURE

INSTALL GUIDE

LEAD TIMES

IMPORTANT
PDF MUST FIRST BE DOWNLOADED TO USE INTEGRATED BUTTONS BELOW