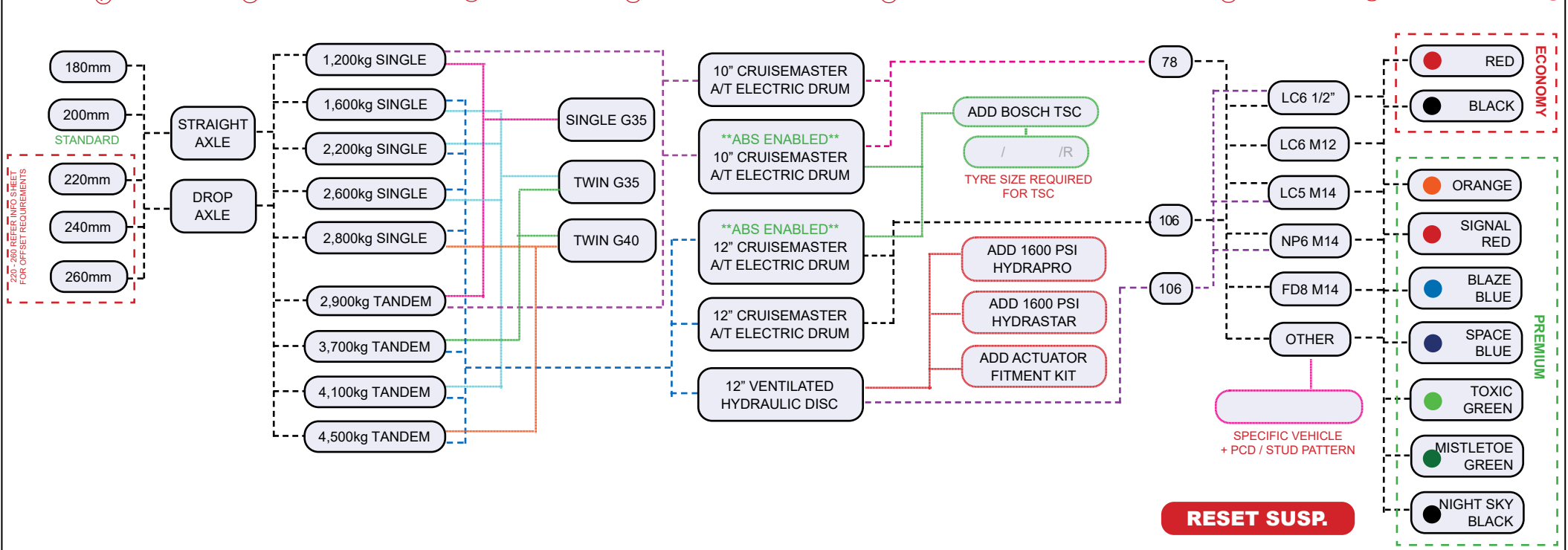


CHASSIS/FACE | AXLE STYLE | ATM RATING | SHOCK ABSORBERS | BRAKES | BRAKE - ADD ONS | SPIGOT SIZE | STUD PATTERN | POWDER COAT



**SUSPENSION EXTRAS**

- WHEEL NUTS
- SPARE BEARING KIT
- ANTI-ROLL BAR - ADD F2F (MM) IN ADD. INFO
- CBL RING (110 ADAPTOR)

**COUPLING & BRAKE EXTRAS**

- DO35 V3PLUS W/ HANDBRAKE
- DO35 V3PLUS NO HANDBRAKE
- DO45PLUS W/ HANDBRAKE
- DO45PLUS NO HANDBRAKE
- BOWDEN CABLE KIT
- 10M HANDBRAKE CABLE KIT
- 15M HANDBRAKE CABLE KIT

**IMPORTANT** PDF MUST BE DOWNLOADED TO USE INTEGRATED BUTTONS

CONTACT INFORMATION

ORDERED BY  
 ACCOUNT NAME  
 PHONE  
 EMAIL

ORDER DETAILS

ORDER #  
 QUOTE #  
 REQUIRED BY

ADDITIONAL INFORMATION

ADDRESS  
 QTY OF KITS