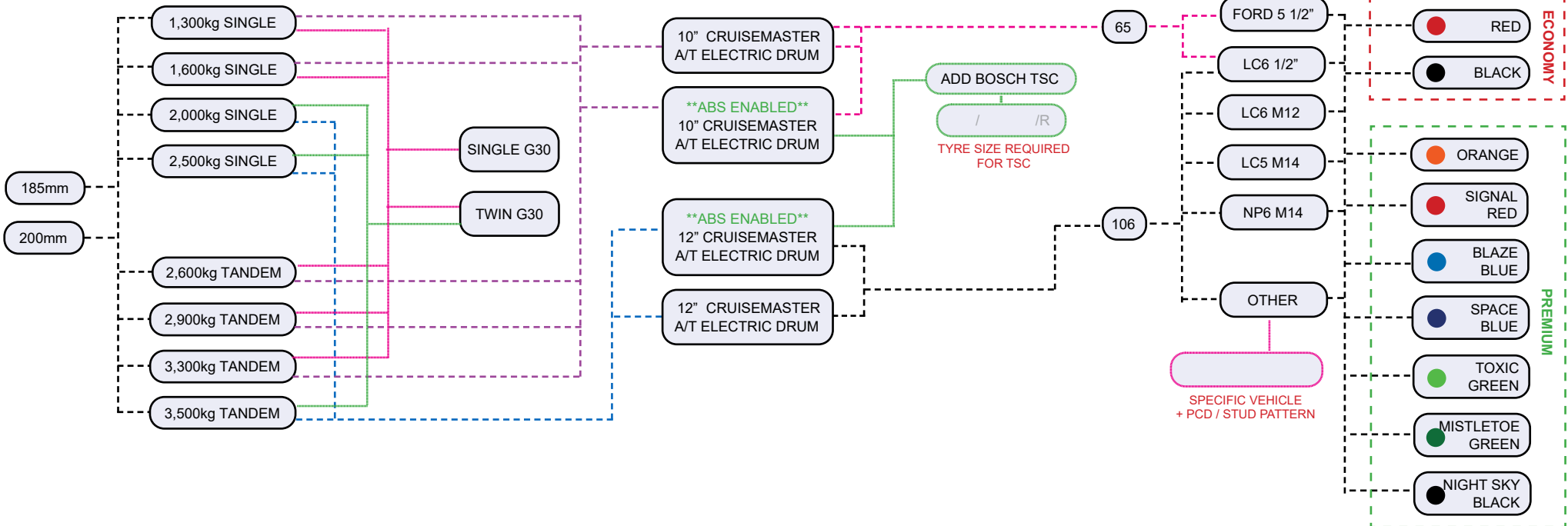


CHASSIS/FACE | ATM RATING | SHOCK ABSORBERS | BRAKES | BRAKE - ADD ONS | SPIGOT SIZE | STUD PATTERN | POWDER COAT



SUSPENSION EXTRAS

- WHEEL NUTS
- SPARE BEARING KIT
- CBL RING (110 ADAPTOR)

COUPLING & BRAKE EXTRAS

- DO35 V3PLUS W/ HANDBRAKE
- DO35 V3PLUS NO HANDBRAKE
- DO45PLUS W/ HANDBRAKE
- DO45PLUS NO HANDBRAKE
- BOWDEN CABLE KIT
- 10M HANDBRAKE CABLE KIT
- 15M HANDBRAKE CABLE KIT

IMPORTANT PDF MUST BE DOWNLOADED TO USE INTEGRATED BUTTONS

CONTACT INFORMATION

ORDERED BY

ACCOUNT NAME

PHONE

EMAIL

ORDER DETAILS

ORDER #

QUOTE #

REQUIRED BY

ADDRESS

QTY OF KITS

ADDITIONAL INFORMATION