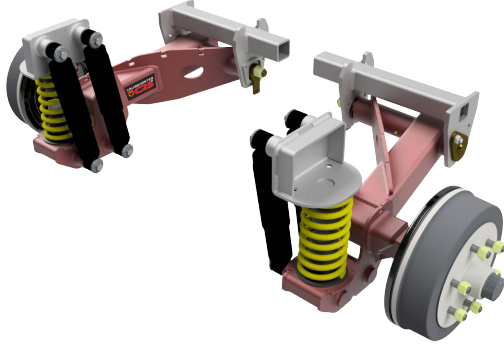




ORDER FORM -



QUOTE #	
----------------	--

Name	
-------------	--

Order Number	
---------------------	--

Delivery Address	
-------------------------	--

Transport COY ACCT Number	
----------------------------------	--

Required By (Min 14 days)	
----------------------------------	--

Contact Details	
Phone	
Fax	
Mobile	
Email	

Date	
-------------	--

Signature <small>(Leave blank if form is emailed)</small>	
---	--

AXLE CONFIGURATION / RATING ATM (KGS)

**The ATM is a critical specification for correct coil spring / bump stop combination selection. The ATM is the total weight of vehicle including full payload. Overstating or understating this capacity could lead to a detrimental effect on the ride, ride height and handling.*

- Max tyre diameter 750mm on all configurations

NOTE: This is a non-load sharing suspension therefore wheels and tyres need to be rated to 120% of required capacity. Ratings assume a drawbar load of 7 - 12% ATM.

Single Axle		Tandem Axle	
1300	2300	2600	3300
1600	2500	2900	3500
2000	** Dual shocks standard on 2000kgs, 2300kgs 2500Kgs and 3500kgs		

SUSPENSION SETUP

Chassis to Face	170mm	185mm	200mm
Stud Pattern	Ford 5	LC6	
Shocks	Single	Dual	

POWDER COATING

Colour		Premium	Standard
---------------	--	---------	----------

Colour	
---------------	--

COMMENTS (Max 160 characters)

--

FAX	
------------	--

--

--

PLEASE NOTE: The automatic "EMAIL FORM" button is currently supported only by Internet Explorer and Mozilla Firefox. Other browsers require a .pdf extension or a plugin for this function to work. You can still fill out this form, save it as a .pdf, attach it to your email and send it to orders@cruisemaster.com.au.

