



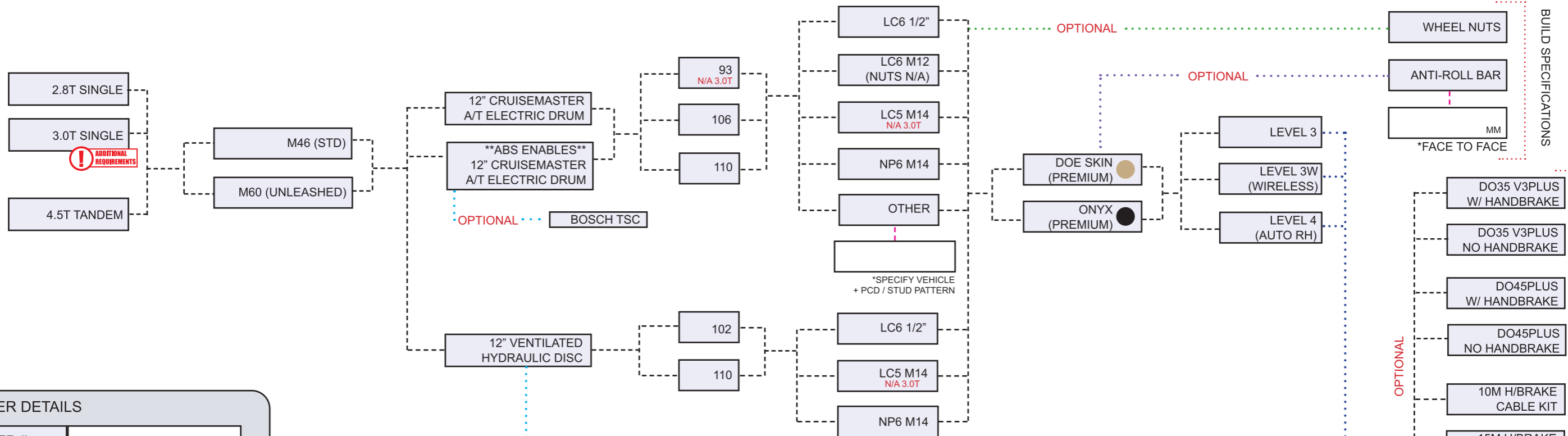
ORDER FORM

SUBMIT VIA: ORDERS@CRUISEMASTER.COM.AU

- ATM RATING
- SHOCK ABSORBERS
- BRAKES
- SPIGOT SIZE
- STUD PATTERN
- POWDER COATING
- AIR CONTROL KIT
- EXTRAS

INFO SHEET INFO SHEET INFO SHEET INFO SHEET INFO SHEET

ALL STUDS UNF OR 1.5



OPTIONAL BOSCH TSC

OPTIONAL

OPTIONAL

ALL DRUMS / DISCS PROVIDED WITHOUT WHEEL NUTS
WHEEL NUTS CAN BE ADDED TO THE ORDER UNDER EXTRAS

BUILD SPECIFICATIONS

ACCESSORIES & SPARES

OPTIONAL

AIR EXTRAS

DISC BRAKES ONLY

ORDER DETAILS

ORDER #

QUOTE #

REQUIRED BY

DELIVERY PICK UP

ADDRESS

ADDITIONAL INFORMATION

IF REQUESTING "QUOTE ONLY" ENTER THAT IN THE SECTION BELOW

CONTACT INFORMATION

ORDERED BY

ACCOUNT NAME

PHONE

EMAIL

Please note as per the CruiseMaster Australia Pty Ltd Terms and Conditions, 100% deposit is required prior to production for all Cash Sales.

A Pro Forma will be sent via email after the order has been reviewed prompting payment. Production of MTO goods will not commence until payment is recieved.

By submitting this order you agree to the Terms and Conditions of CruiseMaster Australia Pty Ltd .

T&C's are available at <https://cruisemaster.com.au/terms>.

Warranty information available at <https://cruisemaster.com.au/warranty-policy/>.

TRADEMARK OF CRUISEMASTER™ AUSTRALIA PTY LTD ABN 44 010 033 762

- USER GUIDE
- INSTALL GUIDE
- BROCHURE
- LEAD TIMES

IMPORTANT PDF MUST FIRST BE DOWNLOADED TO USE INTEGRATED BUTTONS BELOW