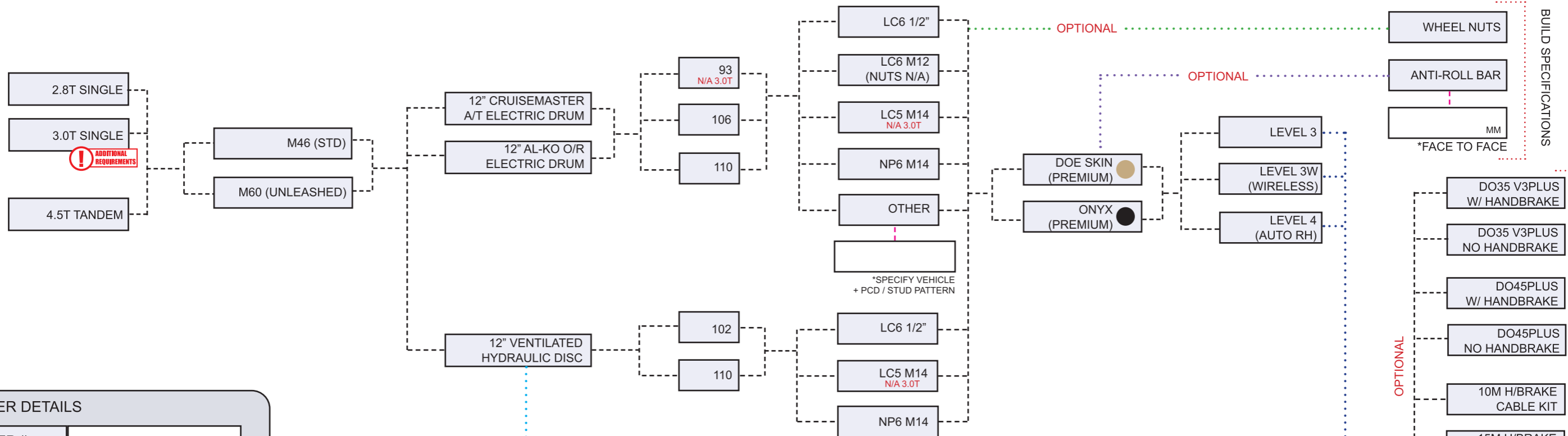




# ORDER FORM

SUBMIT VIA: SALES@CRUISEMASTER.COM.AU

- ATM RATING
- SHOCK ABSORBERS  INFO SHEET
- BRAKES
- SPIGOT SIZE  INFO SHEET
- STUD PATTERN ALL STUDS UNF OR 1.5  INFO SHEET
- POWDER COATING
- AIR CONTROL KIT  INFO SHEET
- EXTRAS



ALL DRUMS / DISCS PROVIDED WITHOUT WHEEL NUTS  
 WHEEL NUTS CAN BE ADDED TO THE ORDER UNDER EXTRAS

**ADDITIONAL INFORMATION**  
 IF REQUESTING "QUOTE ONLY" ENTER THAT IN THE SECTION BELOW

**ORDER DETAILS**

ORDER #

QUOTE #

REQUIRED BY

DELIVERY  PICK UP

ADDRESS

**CONTACT INFORMATION**

ORDERED BY

ACCOUNT NAME

PHONE

EMAIL

Please note as per the CruiseMaster Australia Pty Ltd Terms and Conditions, 100% deposit is required prior to production for all Cash Sales.

A Pro Forma will be sent via email after the order has been reviewed prompting payment. Production of MTO goods will not commence until payment is recieved.

By submitting this order you agree to the Terms and Conditions of CruiseMaster Australia Pty Ltd .

T&C's are available at <https://cruisemaster.com.au/terms>.

Warranty information available at <https://cruisemaster.com.au/warranty-policy/>.

TRADEMARK OF CRUISEMASTER™ AUSTRALIA PTY LTD ABN 44 010 033 762

- USER GUIDE
- BROCHURE
- INSTALL GUIDE
- LEAD TIMES

**IMPORTANT**  
 PDF MUST FIRST BE DOWNLOADED TO USE INTEGRATED BUTTONS BELOW