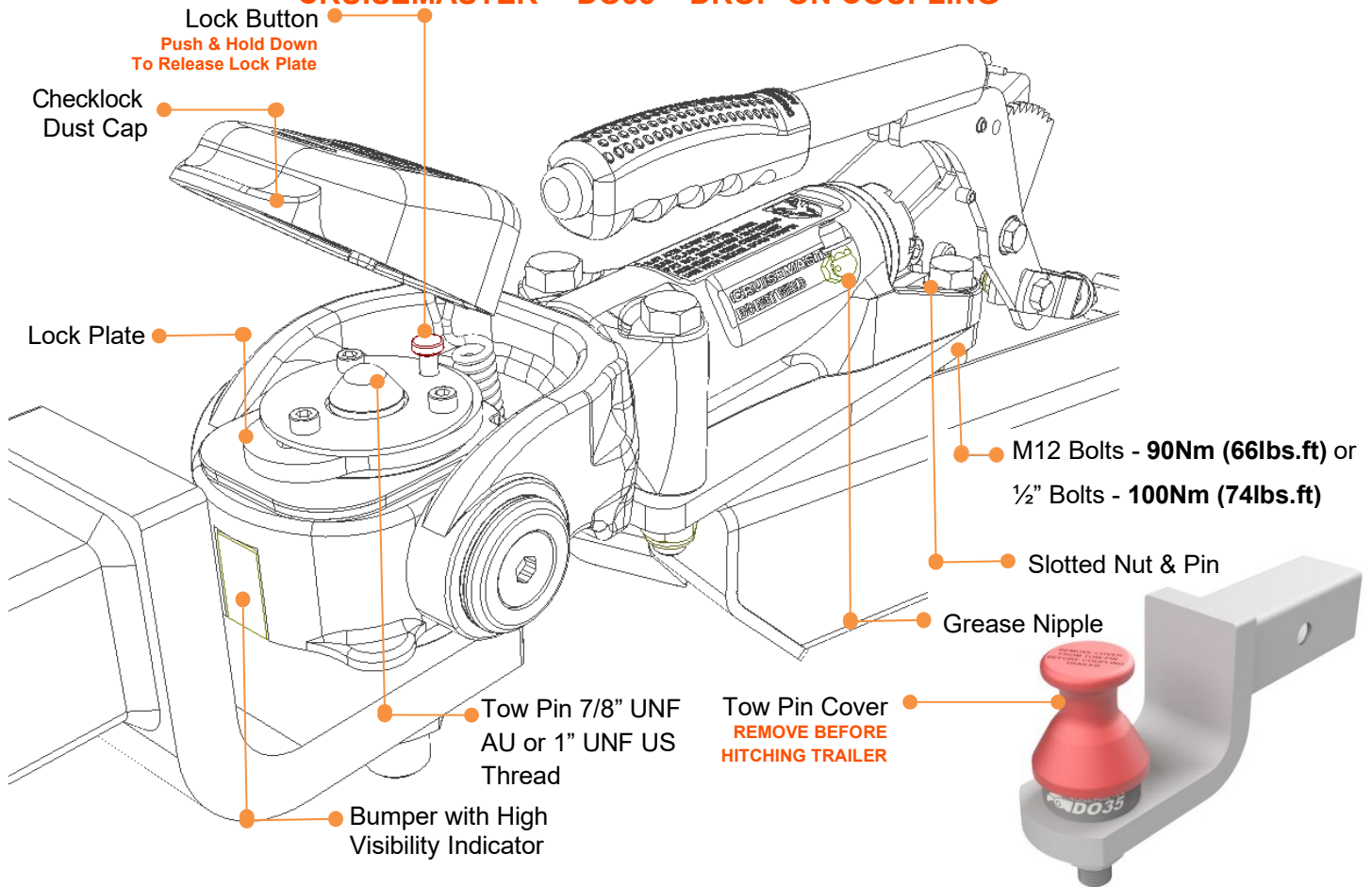




CUSTOMER INFORMATION SHEET – NO. 036

CRUISEMASTER™ DO35 – DROP-ON COUPLING



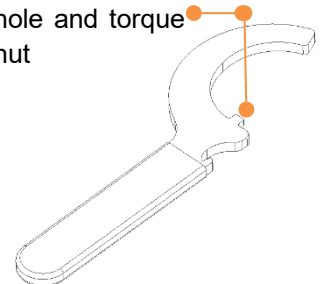
FOR USE IN AUSTRALIA - ADR RATED TO 3500kg (7714lb)
FOR USE IN NORTH AMERICA - SAE J684 RATED TO CLASS 4 TRAILERS

Applicable Patents: 2011101337, 2006207859, 2011253645

1. Mounting the DO35 TOW PIN onto vehicle Tow bar:

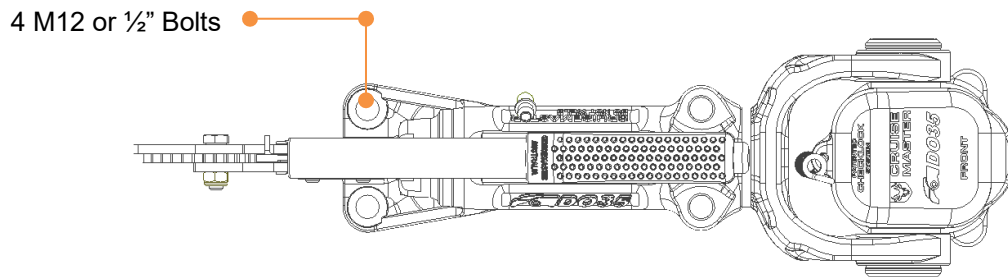
- a. For Australian supplied couplings fit tow pin to towbar using spring washer and 7/8” nut supplied and torque to 440Nm (325lbs.ft) It may be necessary to hold the tow pin in place using the supplied c-spanner.
- b. For American supplied couplings fit tow pin to towbar using spring washer and 1” UNF nut supplied and torque to 530Nm (390lbs.ft) It may be necessary to hold the tow pin in place using the supplied c-spanner.

Insert tab into
tow pin cross
hole and torque
nut



2. Bolting the DO35 COUPLING onto trailer drawbar:

Always use four new bolts to secure Coupling to Trailer. Bolt grades to be minimum M12 Class 8.8 torqued to 90Nm (66lbs.ft) or ½" Grade 5 bolts torqued to 100Nm (74lbs.ft). Use either nylon insert nuts or spring washers. DO NOT ATTEMPT TO WELD the coupling to the drawbar. The coupling must always be mounted flat on the drawbar plate. A drawbar weight of at least 50kg (110lb) and not exceeding 350kg (772lb) is recommended.



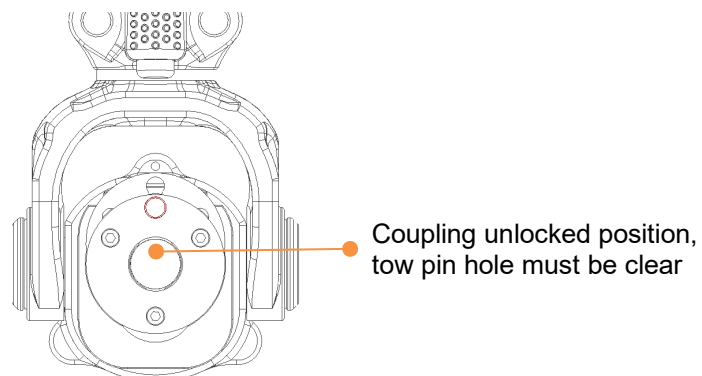
3. Use of Weight Distribution Hitches:

HITCHMASTER DO35 can be used with load distribution hitches' providing the coupling movement is not obstructed and the maximum downward load of 350kg (772lb) is not exceeded. With a WDH adaptor attached to the vehicle, clearance should also be checked to ensure the trailer drawbar does not foul, particularly in tight reversing situations.

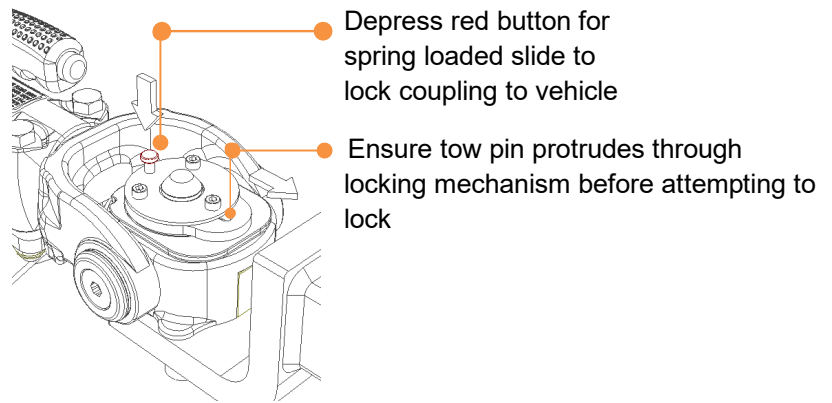
4. How to hitch your DO35:

For coupling the DO35 to your vehicle, we recommend the following:

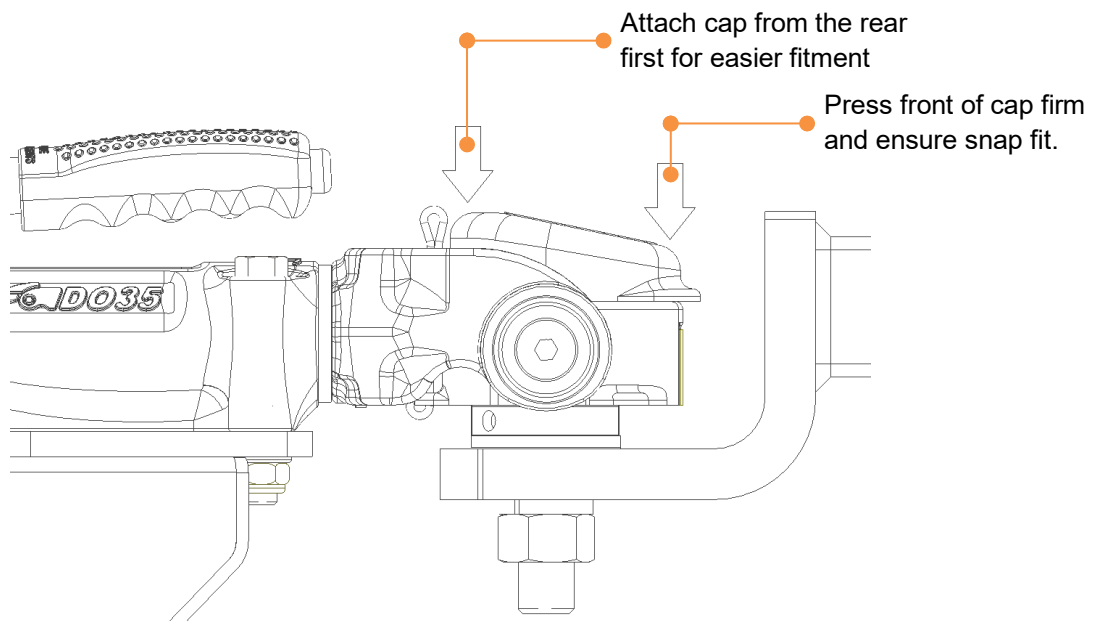
1. Ensure Tow Pin Cover is removed from Tow Pin.
2. Make sure Tow Pin and Universal is free of sand, dirt and foreign objects, and is lightly lubricated.
3. Raise height of trailer coupling above vehicle Tow Pin by adjusting Jockey Wheel or Stand.
4. Push and hold Lock Button down, push the Lock Plate to full open position until the Lock Button is able to spring back



5. Align Coupling over Tow Pin by moving either vehicle or trailer, and lower Coupling onto Tow Pin. Ensure that Universal is fully seated on Tow Pin; Ensure Tow Pin protrudes through locking plate.
6. Push the Lock Button to release the plate into the locked position.



7. Assemble the Checklock cap by snapping in the back edge of the cap first and then pushing down on the front. The cap will emit an audible snap when assembled correctly.



5. Maintenance:

To ensure a long service life we recommend the following periodic maintenance procedures

- a. Keep Tow Pin and Universal mating surfaces clean and lightly greased at all times
- b. Check condition of Tow Pin O-Ring and replace if necessary (VC part no 18D-DO35-101).
- c. Regularly lubricate grease points with multi-purpose grease.
- d. Check all bolts regularly for tightness.
- e. Periodic adjustment of Slotted Nut & Pin may be required if coupling head loosens excessively and should be performed by a competent person.
- f. Flush with clean water if locking mechanism does not open fully due to dirt ingress.

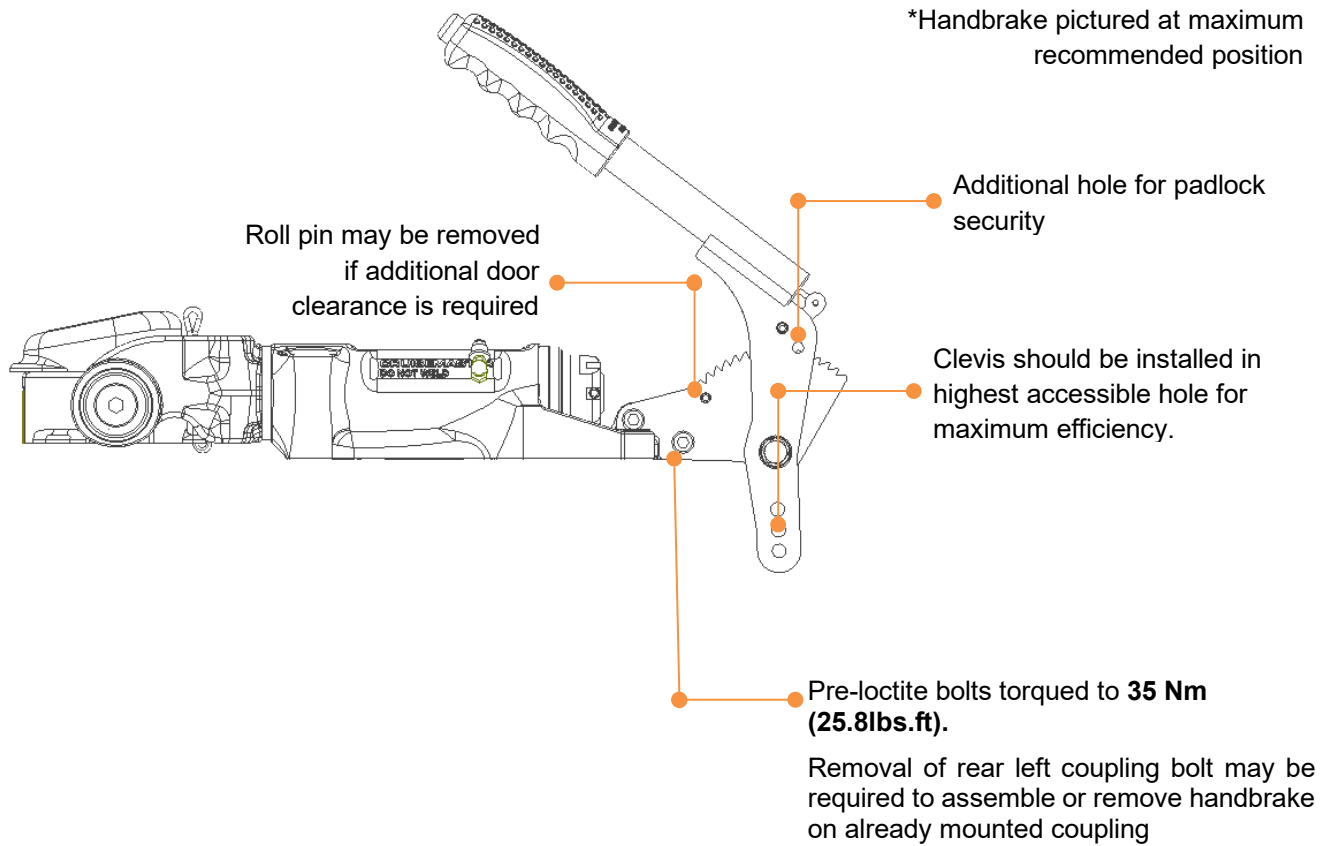
SAFETY

- Keep hands and fingers clear of coupling when attaching.
- Ensure trailer safety chains are attached whilst coupling or uncoupling.
- Do not use Tow Pin or Coupling for recovery purposes.

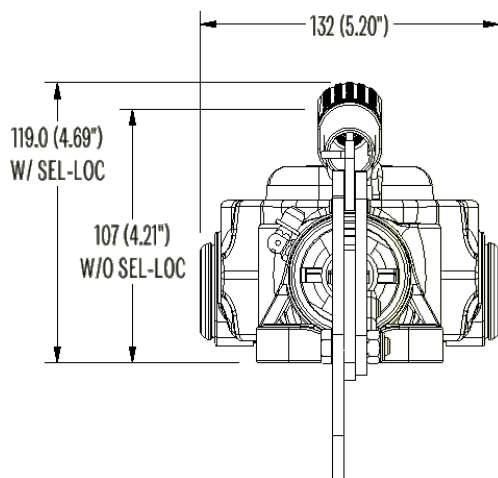
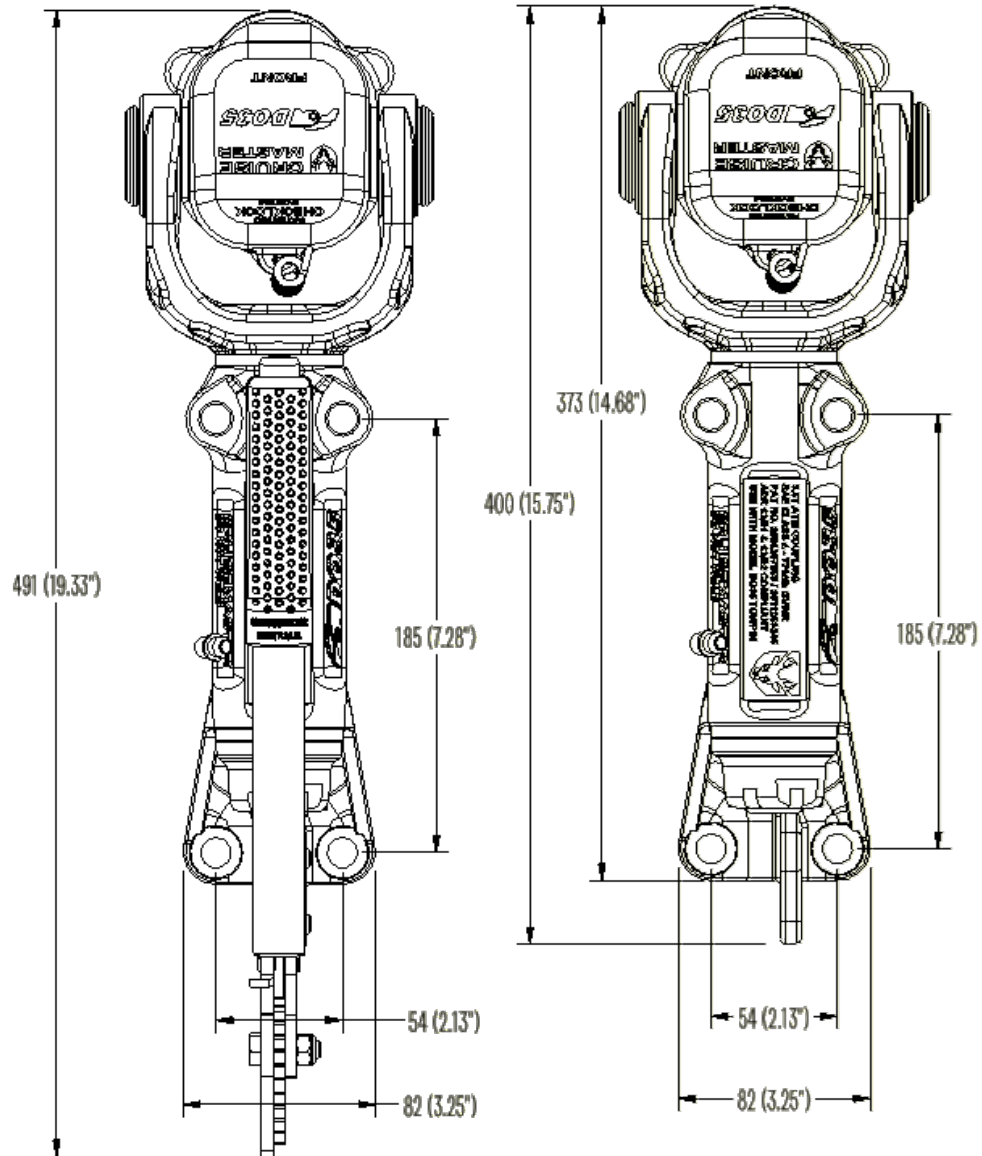


6. Use and Attachment of Handbrake

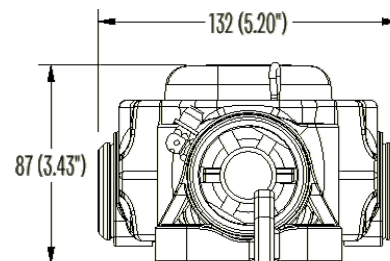
Handbrakes come preassembled on **18D-DO35-V3-I** couplings. If you have a **18D-DO35-V3-R** coupling a handbrake can be fitted by purchasing **56A-HB-V3** and following the instructions below.



7. Coupling Dimensions



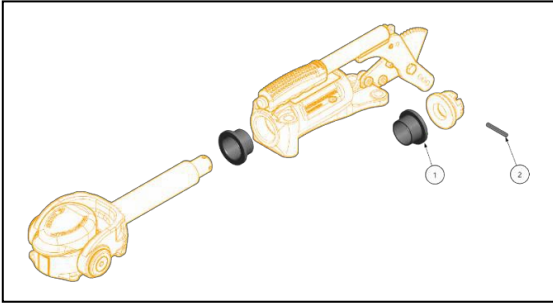
18D-DO35-V3-I



18D-DO35-V3-R

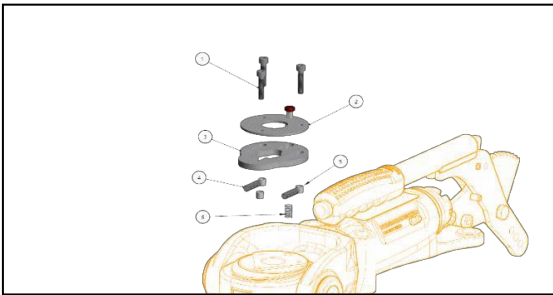
8. Maintenance and Repair Kits

The following kits can be purchased from CRUISEMASTER™ in order to repair or maintain your DO35 coupling.



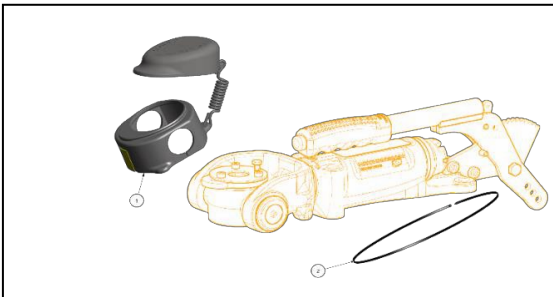
Description: Spindle bush replacement kit

Part Number: 18D DO35 SPINDLE BUSH V3



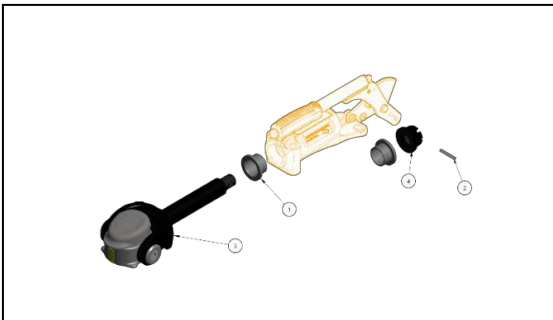
Description: Locking replacement kit

Part Number: 18D DO35 REPAIR V3



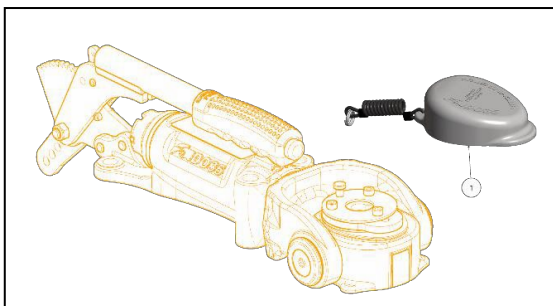
Description: Bumper and Dust Cover replacement kit

Part Number: 18D DO35 BUMPER V3



Description: Yoke and universal replacement kit

Part Number: 18D DO35 YOKE/UNI V3



Description: Dustcap complete with lanyard

Part Number: 18D DO35 CAP V3

9. Coupling Options (Sold Separately)

a. Tow Pins

At present there are 2 tow pin options for the Australian market, TP-WF and TP-WX. The V3 coupling will come standard with the TP-WF with the option to purchase the TP-WX should clearance or mounting be an issue.

The US market couplings will be standard with TP-US tow pin.



TP-WF - 7/8"



TP-WX - 1-1/4"

b. Tow pin cover

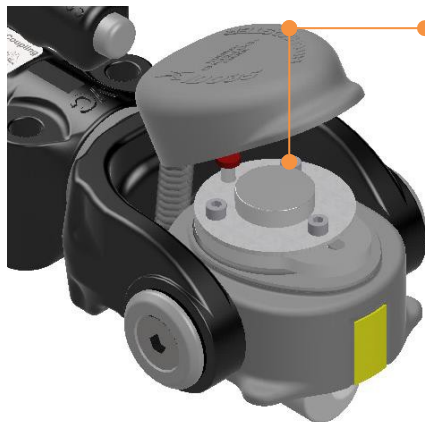
All DO35 kits come complete with a cover for the towpin. This cover helps protect the coupling from weather and contain grease when not in use. Available as spare.

Part Number: 18D-HM-DO35-COV-PIN-V3



c. Bi-Lock

Part Number: 18D-DO35-LOCK



Insert machined pin to top of coupling and close locking mechanism



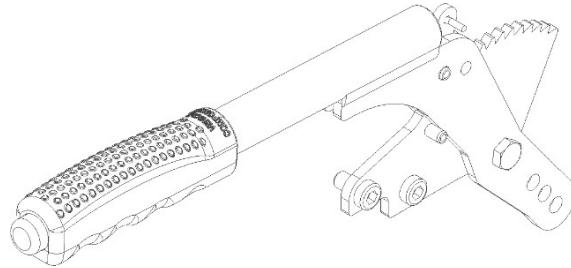
Insert machined pin into lock and lock with key. Cover key hole with supplied rubber boot.

Ensure the safety of your camper or caravan when you're not there with the ultimate coupling lock. The CRUISEMASTER™ Bi-Lock assembly consists of a dummy pin, two keys, a lock and a dust cover.

d. Handbrake

Handbrake kits are available to suit mounting to rear of coupling as pictured or remote mounting if required. If a remote mounting is required contact CRUISEMASTER™ sales.

Straight Mount Kit	-	56A-HB
Side Mount Kit	-	56A-HB-S/M
V3 Coupling Kit	-	56A-HB-V3



Pictured
56A-HB-V3