

SPECIFICATIONS AND FEATURES

SUITABLE TERRAINS

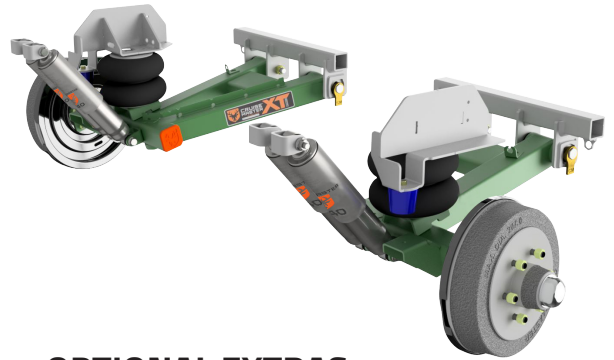
HIGHWAYS	SEALED ROADS	DIRT ROADS	CORRUGATIONS	EXTREME OFF-ROAD
----------	--------------	------------	--------------	------------------

AVAILABLE ATM RATINGS (AGGREGATE TRAILER MASS)

SINGLE AXLE ATM RATINGS 1400KGS - 1700KGS - 2600KGS	TANDEM AXLE ATM RATINGS 2800KGS - 3400KGS - 4500KGS
---	---

FEATURES

- ICONIC ARM DESIGN MADE IN AUSTRALIA
- FIRESTONE DOUBLE CONVOLUTED AIR SPRINGS (3 SIZES)
- G35 OR G40 CRUISEMASTER™ SPEC. SHOCK ABSORBERS
- TWO HEIGHT OPTIONS (STRAIGHT AXLE OR DROP AXLE)
- 50MM STUB AXLES WITH REINFORCING PLATES
- POLYURETHANE BUMP STOPS AND BUSHES
- GREASE NIPPLES FOR EASY MAINTENANCE
- CAMBER AND TOE ADJUSTMENT FOR EASY ADJUSTMENT AND REDUCED TYRE WEAR
- ELECTRIC DRUM BRAKES (10" OR 12") OR PREMIUM VENTILATED HYDRAULIC DISC BRAKES (12")
- BOLT ON DISC BRAKE CALIPER DESIGN ALLOWS FOR EASY DRUM TO DISC RETROFITTABLE UPGRADES
- GLOBALLY RECOGNISED CONSTRUCTION - LASER CUT STEEL, COMBINATION OF ROBOT AND MANUAL WELDING, CUSTOM JIG ASSEMBLED, MULTI STAGE QUALITY CHECKS
- INBUILT CABLE MANAGEMENT WITH CABLE TRAY AND HANDBRAKE GUIDE FOR ADDED CABLE PROTECTION
- RANGE OF STUD PATTERNS AND SPIGOT SIZES AVAILABLE TO MATCH MOST COMMON WHEELS
- A RANGE OF FINISHES AND STYLE OPTIONS INCLUDING PREMIUM 2 STAGE POWDERCOATING
- GEN.2 SHOCK ABSORBER MOUNTING WITH ONE PIECE SHOCK MOUNTS, VULCANISED BUSHES AND FLANGED BOLTS
- IN BUILT JACKING POINT



OPTIONAL EXTRAS

- 5 LEVELS OF AIR CONTROL SYSTEMS; INCLUDES A WIRELESS CONTROL OPTION AND AUTO RIDE HEIGHT OPTION
- REBOUND CABLES
- ANTI-ROLL BARS
- CUSTOM HINGE BARS

PREMIUM POWDERCOAT RANGE



SUSPENSION ARMS SANDBLASTED, PRIMED & POWDER COATED

ECONOMY POWDERCOAT RANGE

SUSPENSION ARMS SANDBLASTED & POWDER COATED ONLY

