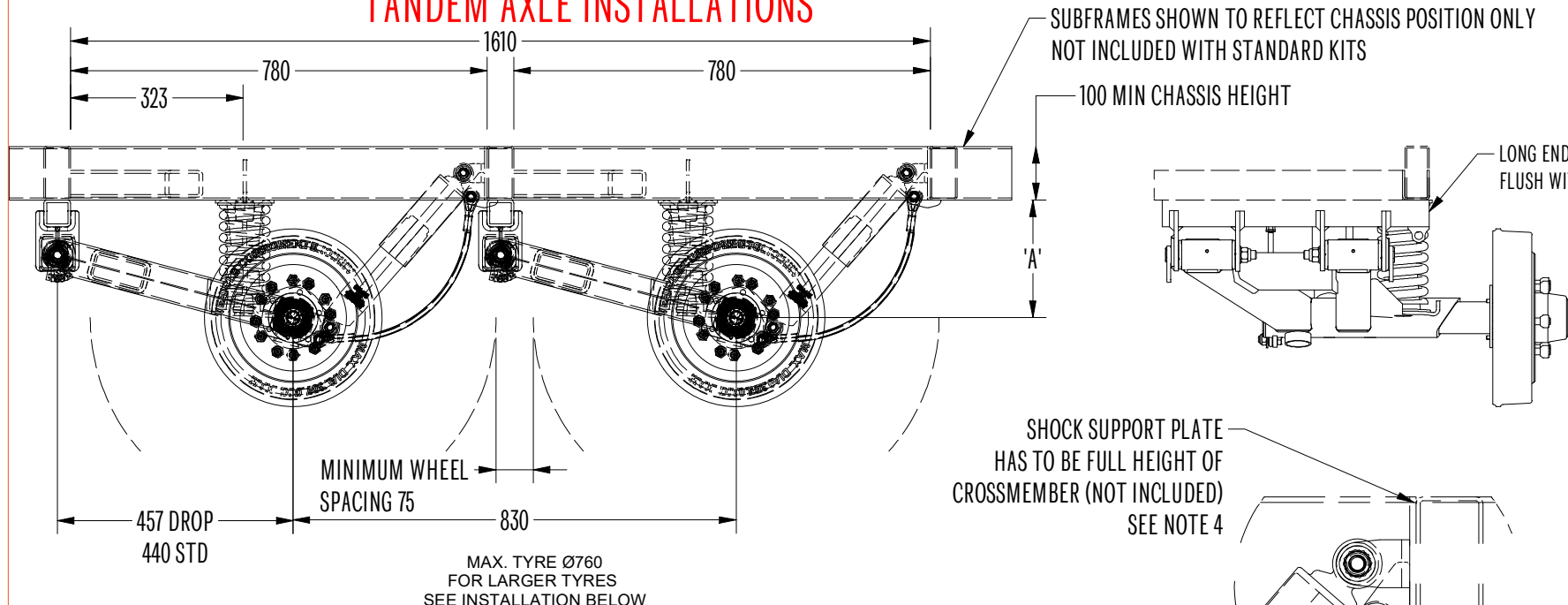
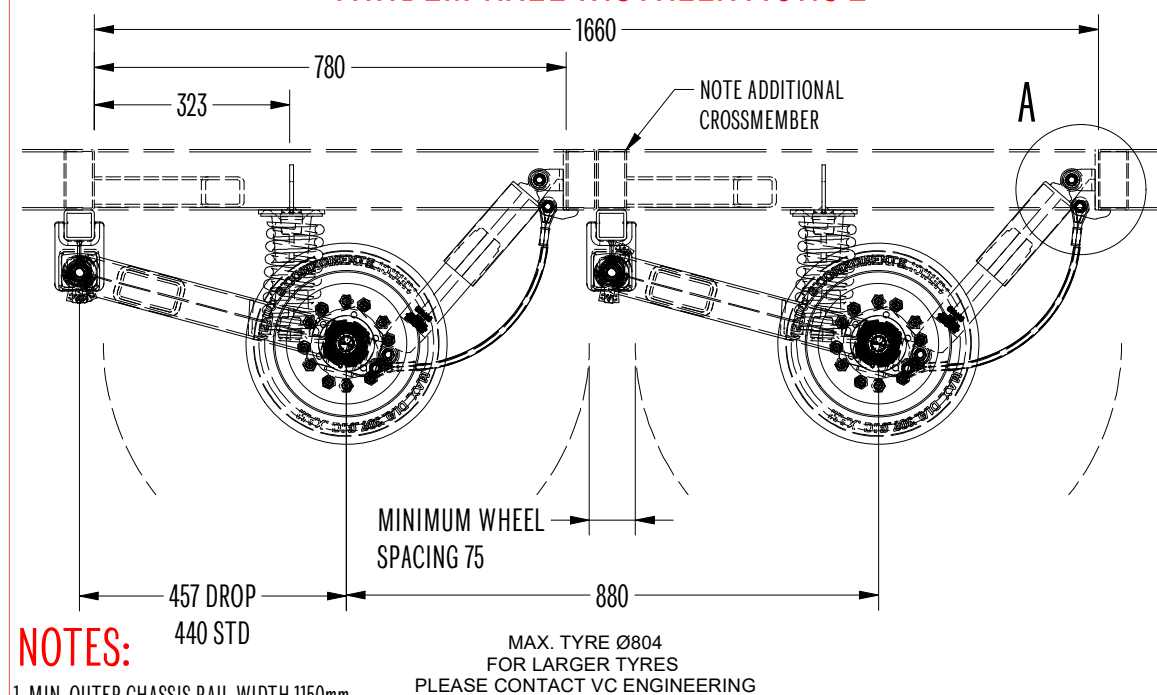




### TANDEM AXLE INSTALLATIONS



### TANDEM AXLE INSTALLATIONS 2



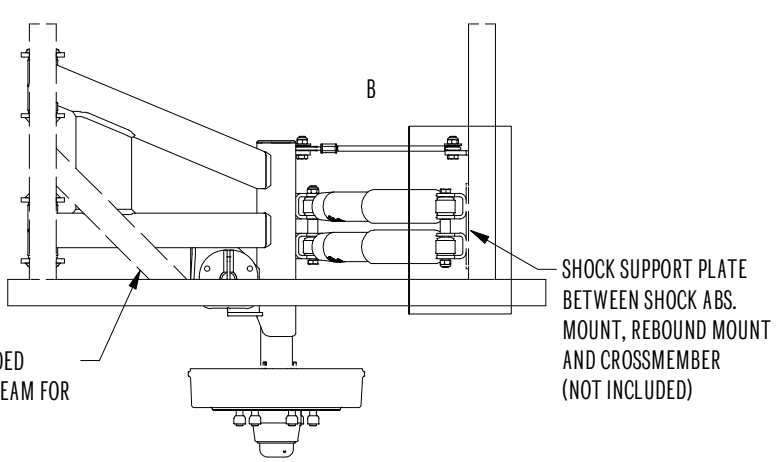
#### NOTES:

1. MIN. OUTER CHASSIS RAIL WIDTH 1150mm.
  2. \* 1250 COIL USED ONLY WITH TWIN SHOCK ABSORBER KIT.
  3. CROSSMEMBERS/OUTRIGGERS TO BE FULL CHASSIS RAIL HEIGHT
  4. \*\* MAXIMUM ALLOWABLE TYRE DIAMETER OF 804mm WITH 2800kgs ATM
- A = APPROXIMATE VERTICAL DISTANCE BETWEEN AXLE AND CHASSIS AT AXLE RATING.  
 AC = RATE OF CHANGE OF DIMENSION A PER 200kg LOAD.  
 BOTH A AND AC ARE CALCULATED WITH TOWBALL WEIGHT OF 10%

**NOTE FOR TANDEM AXLES**  
 MAX ATM SPECIFIED @ 10% DRAWBAR WEIGHT  
 THIS IS A CLOSE COUPLED, NON-LOAD SHARING SUSPENSION. ENSURE THAT THE LOAD ON THE AXLE GROUP DOES NOT EXCEED THE REQUIREMENTS OF THE NATIONAL CODE OF PRACTICE (VSB 1 - BUILDING SMALL TRAILERS)

**LUBRICATION**  
 GREASE BORE AND FLANGE OF POLYURETHANE BUSHES DURING INSTALLATION AND REGULARLY DURING SERVICE USING AUTOMOTIVE BEARING GREASE. INJECT THROUGH GREASE NIPPLE UNTIL GREASE STARTS COMING OUT BETWEEN HINGE AND BUSH.

### ALL INSTALLATIONS



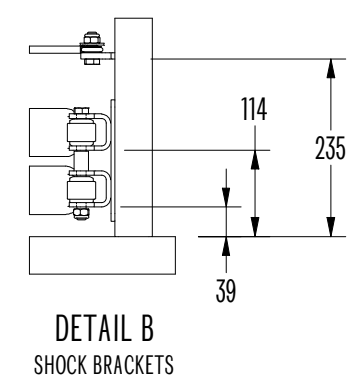
REV	DESCRIPTION	ECN	NAME	DATE
20	Update to show shock sleeve	1768	BM	28/08/19
19	Added TDM 1250 4450 ATM	1587	AJ	16/03/2017
18	Add 2.8T rating	1454	AB	18/02/2016
18	Add note 3	1403	BM	14/08/2015

### LOAD CARRYING CAPACITY OF AXLE

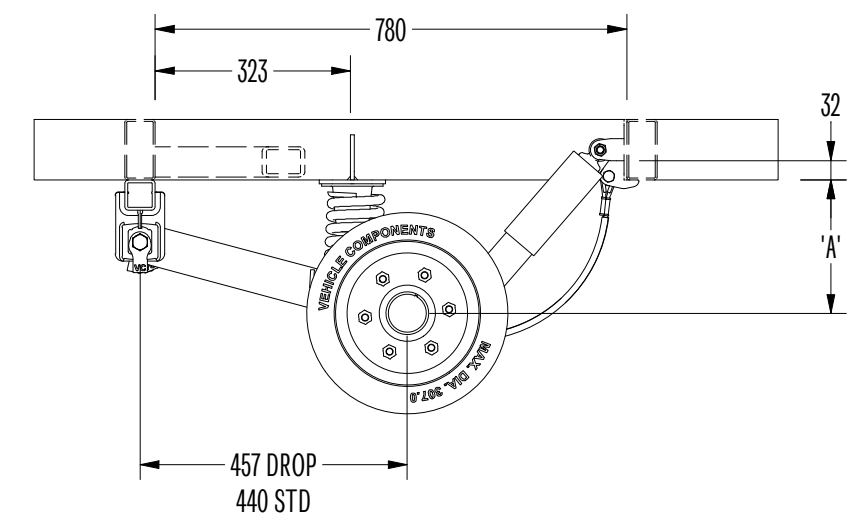
SINGLE AXLE (AT RIDE HEIGHT)				
SPRING	RATING/ATM (kg)	A (mm) STD	A (mm) DROP	AC (mm/200kg)
550 LIGHT	1200	215	155	12
750 MEDIUM	1600	215	155	9
950 HEAVY	2000	217	157	7
1250 HEAVY*	2600*	222	157	5
1250 X HEAVY**	2800**	206	NO DROP	5

TANDEM AXLE GROUP (AT RIDE HEIGHT)				
SPRING	RATING/ATM (kg)	A (mm) STD	A (mm) DROP	AC (mm/200kg)
550 LIGHT	2200	215	155	6
750 MEDIUM	2900	215	155	5
850 CRUISER	3300	217	157	5
950 HEAVY	3700	217	157	4
1250 HEAVY*	4100*	222	157	3
1250 X HEAVY**	4450**	204	NO DROP	3

DIMENSION 'A'		
TYPE	MAX (mm)	MIN (mm)
STD	275	145
DROP	215	85



### SINGLE AXLE INSTALLATIONS



### CM XT BASE COIL SUSPENSION KIT

#### 331 COIL DS

MATERIAL:	FINISH:	NATURAL
ALL DIMENSIONS IN MILLIMETERS UNLESS OTHERWISE STATED		
DO NOT SCALE	MASS: 354.187 kg	PAGE: 1 of 1
SUPPLIER CODE:	VOLUME: 61678898.1 mm <sup>3</sup>	SHEET SIZE: A3

UNLESS OTHERWISE STATED	DIM	TOL
	0	± 0.5
	0.0	± 0.2
	0.00	± 0.05
	MACHINED	3.2
GEN SHORE HARDNESS TOL ± 3 REMOVE SHARP EDGES		